



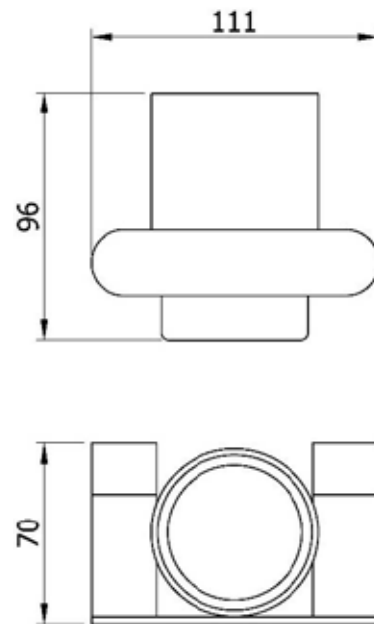
velo FROSTED GLASS FOR TOOTHBRUSH WITH WALL SUPPORT

- Frosted glass for toothbrush made of stainless steel AISI 304.
- Durability and resistance against corrosion.
- Suitable for public areas.
- Black finished. Also available in brushed gold finished (VELO 16881.G), polish finished (VELO 16881.B) and satin finished (VELO 16881.S).

velo TECHNICAL DATA

- Made of black finished stainless steel AISI 304 and frosted glass.
- Dimensions: 96 height x 111 width x 70 depth(mm).
- Equipped with fixing materials.
- Cleaning: we recommend cleaning with a cotton cloth slightly moistened with a soap solution. Then dry it.

velo TECHNICAL DRAWING



DIMENSIONS IN mm

SUGGESTED TEXT FOR PRESCRIPTION

VELO frosted glass for toothbrush, made of black finished AISI 304 stainless steel.
Dimensions: 96 height x 111 width x 70 depth(mm).

Related Products

16871.N	16875.N	16880.N	16870.60.N	16877.N	